

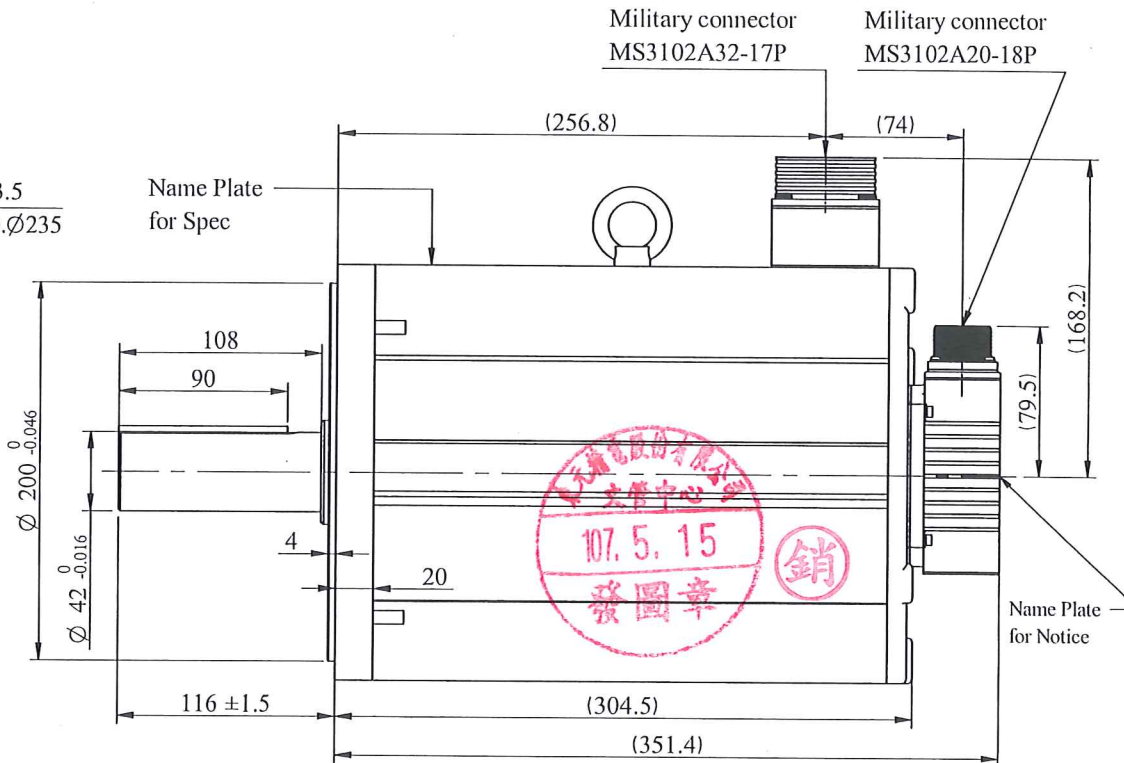
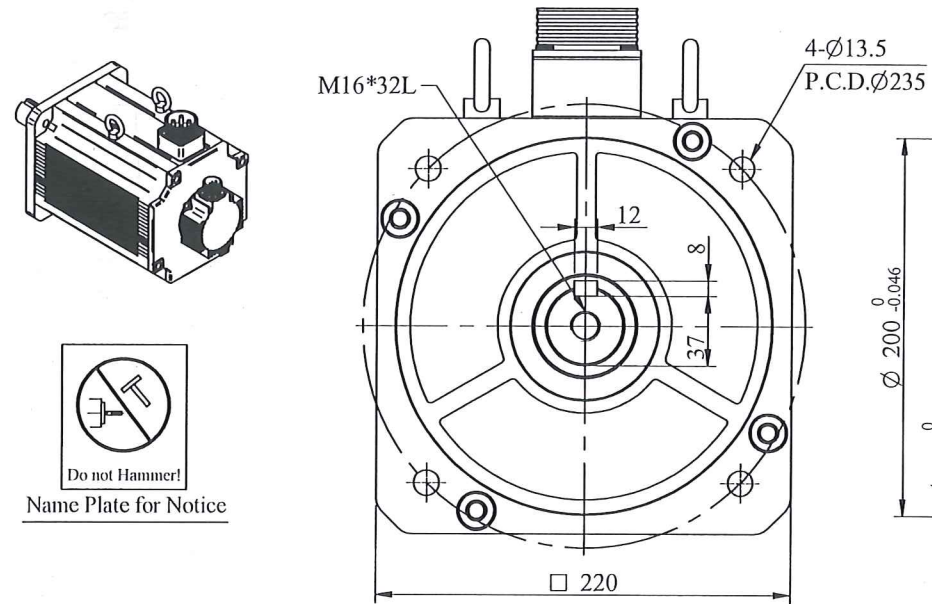
No.	Item	Symbol	Unit	Specification	No.	Item	Symbol	Unit	Specification
1	Drive	-	-	3φ 220VAC	13	Rotor Inertia	J-M	kg-cm ²	160.9±10%
2	Cooling Method	-	-	Totally Enclosed	14	Rated Power Rate	Q-R	Kw/s	305.4
3	Exciting Method	-	-	Permanent Magnet	15	Resistance	Ra	Ω	0.06±10%/2φ
4	Resolution	-	-	17bit INC	16	Inductance	L	mH	1.61±10%/2φ
5	Rated Output	P-R	KW	11	17	Mech. Time Constant	Tm	ms	0.87±10%
6	Rated Torque	T-R	N-m	70.1	18	Elect. Time Constant	Te	ms	26.77±10%
7	Max. Torque	T-max	N-m	175.3	19	Insulation Class	-	-	Class F
8	Rated Speed	N-R	rpm	1500	20	Operation Temp.	T	°C	0~40
9	Rated Current	I-R	A	58.0	21	Operation Humd.	RH	%	<80
10	Max. Current	I-max	A	147.9	22	Storage Temp.	T	°C	-20~60
11	Torque Constant	Kt	N-m/A	1.21±10%	23	Storage Humd.	RH	%	<80
12	Voltage constant	Ke	V/Krpm	83.4±10%/2φ	24	Weight	W	kgw	52.5

Pin	Signal
B	+5V
I	0V
A	
C	
H	SD+
D	SD-
G	
E	
F	FG

PIN	Signal
A	U
B	V
C	W
D	FG

Encoder Connection Motor Connection

Note:
 1. Motor to be IP67.(excluding the shaft opening & connectors).
 2. The detail of Name plate for Spec. refers to the file. DC-JXE-002.



Name Plate for Notice

STANDARD TOLERANCE					APVD	<i>[Signature]</i>	<i>8/14/18</i>	SCALE	1/4	UNIT	m m	NAME	Servo Motor Outline Drawing	
X	±0.5				CHKD	<i>Michelle</i>	<i>5-10-18</i>	3RD .A.P		TITLE	JSMA-PIH110A7K			
.X	±0.2				CHKD									
.XX	±0.05				DWN	Jenter	05-14-'18			Dept. Design	DWG.NO.	D01E22113H3N7AD01		
ANGLE	±30'				SIGNATURE		DATE							